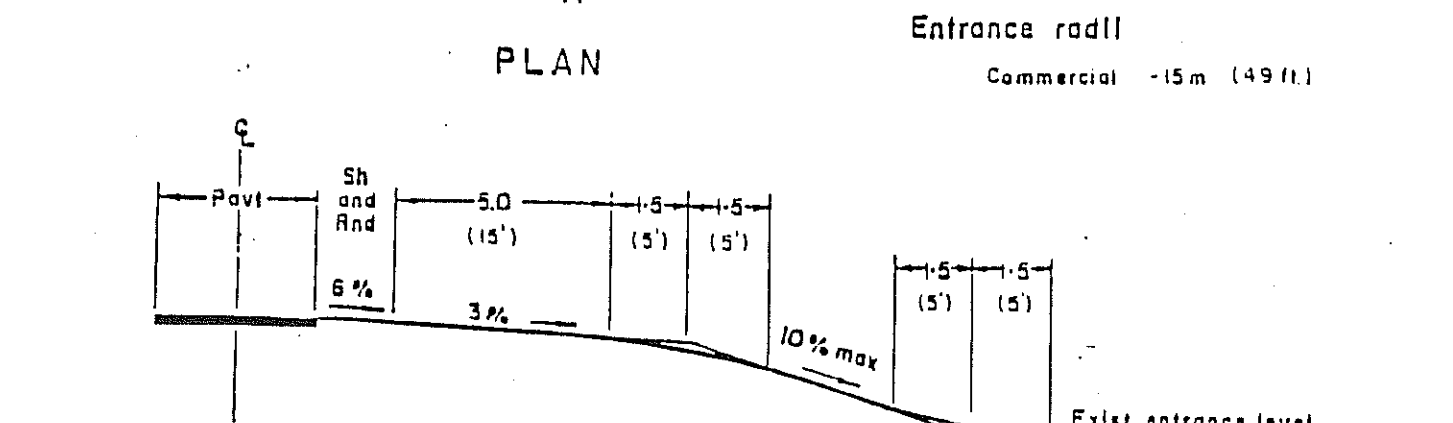


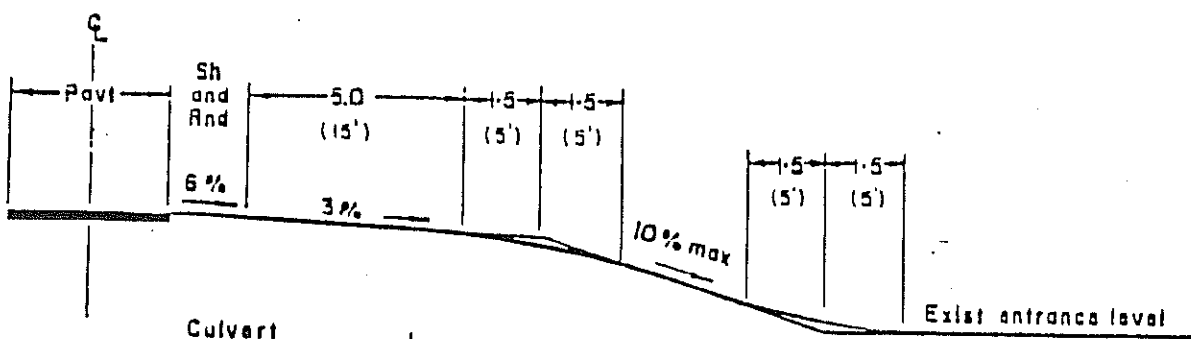
9.0m (30 ft)
8.0m (26 ft)

75mm (3") HL3 ASPHALT
150mm (6") GRAN A
300mm (12") GRAN B

SECTION B-B



Entrance radii
Commercial - 15m (49 ft.)



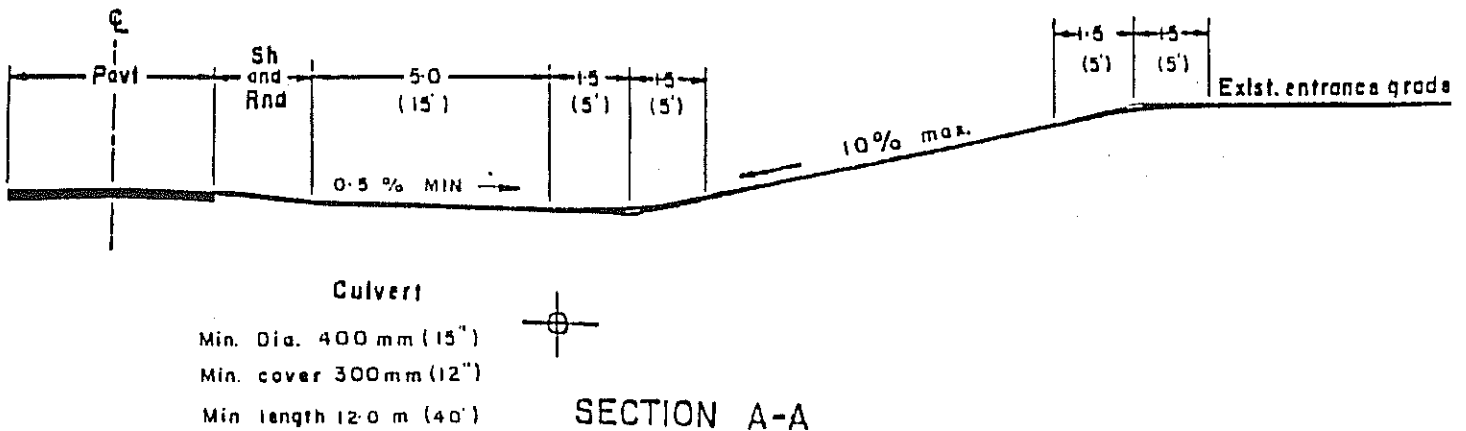
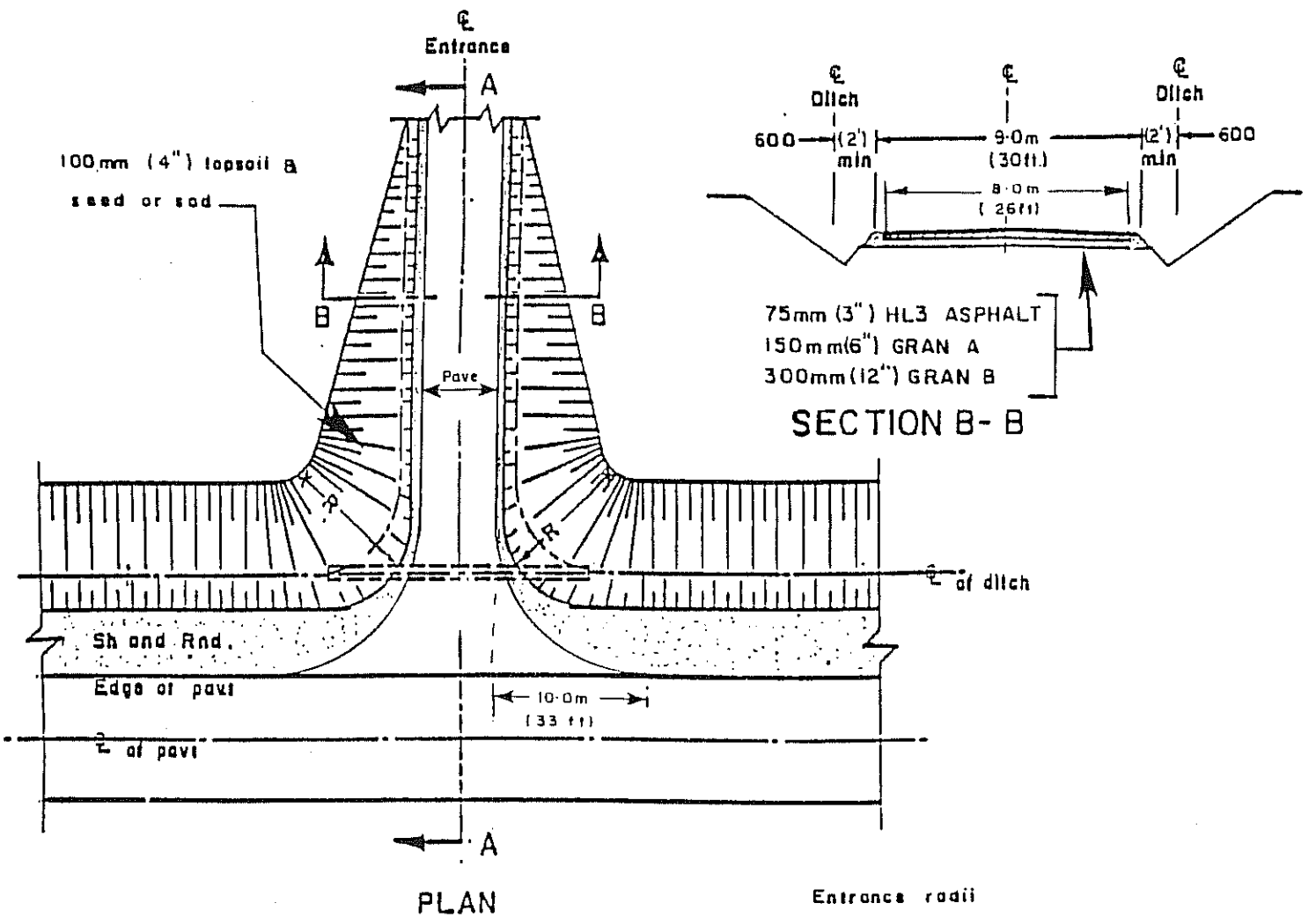
Culvert
Min. Dia. 400mm (15")
Min. cover 300mm (12")
Min. length 12.0m (40')

SECTION A-A

NOTE: All dimensions are in metres or millimetres unless otherwise specified.

EARTH FILL

PERTH COUNTY	
ENTRANCE	
COMMERCIAL / INDUSTRIAL / INSTITUTIONAL	
FIG.2A	JULY 1999



NOTE: All dimensions are in metres or millimetres unless otherwise specified.

EARTH CUT

PERTH COUNTY

ENTRANCE

COMMERCIAL / INDUSTRIAL / INSTITUTIONAL

FIG.2B

JULY 1999